

Engine Mounting Bracket Bushing Replacement

B705H29506002

Replace the engine mounting bracket bushing if necessary. Refer to "Body Frame Construction (Page9E-1)".

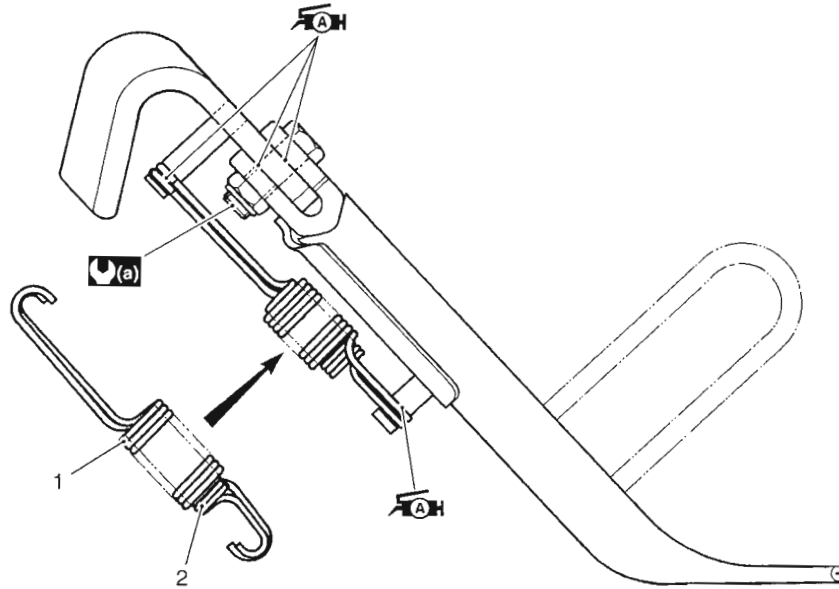
Engine Mounting Bushing Replacement

B705H29506003

Replace the engine mounting bushing if necessary. Refer to "Body Frame Construction (Page9E-1)".

Side-stand Construction

B705H29506004



I705H1950001-03

1. Outer spring	2. Inner spring	: 50N·m (5.0 kgf·m, 36.0 lb·ft)	: Apply grease.
-----------------	-----------------	---------------------------------	-----------------

Side-stand Removal and Installation

B705H29506005

Removal

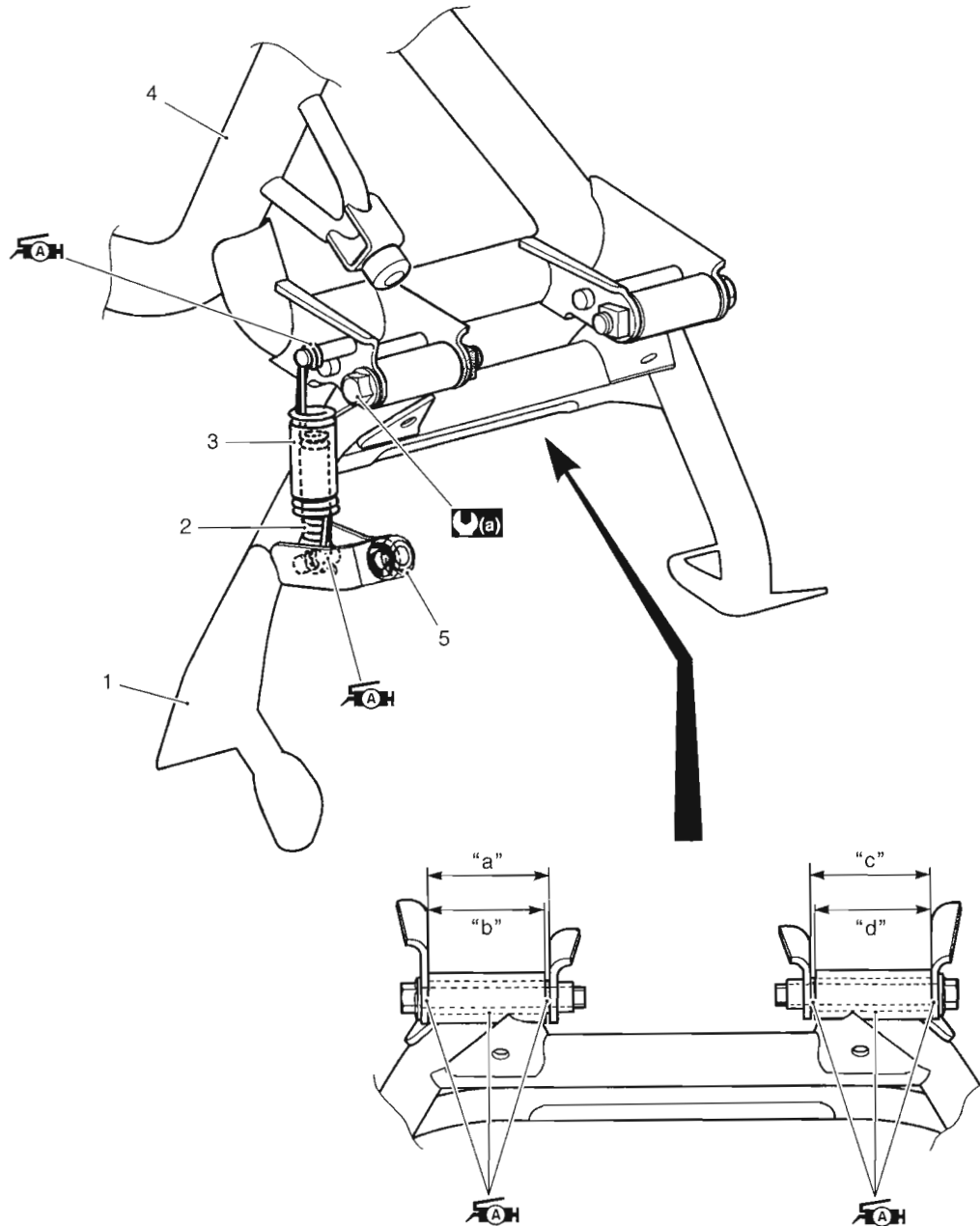
- 1) Support the motorcycle with the center stand.
- 2) Remove the side-stand. Refer to "Side-stand Construction (Page9E-2)".

Installation

Install the side-stand. Refer to "Side-stand Construction (Page9E-2)".

Center Stand Construction

B705H29506006



I705H1950002-03

1. Center stand	5. Cushion	"d": 57 mm (2.24 in)
2. Center stand inner spring	"a": 60 mm (2.36 in)	(a) : 50 N·m (5.0 kgf·m, 36.0 lb-ft)
3. Center stand outer spring	"b": 57 mm (2.24 in)	AH : Apply grease to sliding surface.
4. Frame	"c": 60 mm (2.36 in)	

Center Stand Removal and Installation

B705H29506007

Removal

- 1) Support the motorcycle using a jack.

△ CAUTION

Make sure that the motorcycle is supported securely.

- 2) Remove the center stand. Refer to "Center Stand Construction (Page9E-3)".

Installation

Install the center stand. Refer to "Center Stand Construction (Page9E-3)".

Specifications

Tightening Torque Specifications

B705H29507001

NOTE

The specified tightening torque is also described in the following.

"Body Frame Construction (Page9E-1)"

"Side-stand Construction (Page9E-2)"

"Center Stand Construction (Page9E-3)"

Reference:

For the tightening torque of fastener not specified in this section, refer to "Tightening Torque Specifications in Section 0C (Page0C-7)".

Special Tools and Equipment

Recommended Service Material

B705H29508001

NOTE

Required service material is also described in the following.

"Side-stand Construction (Page9E-2)"

"Center Stand Construction (Page9E-3)"

Prepared by
SUZUKI MOTOR CORPORATION

April, 2006
Part No. 99500-34100-03E
Printed in U.S.A.