

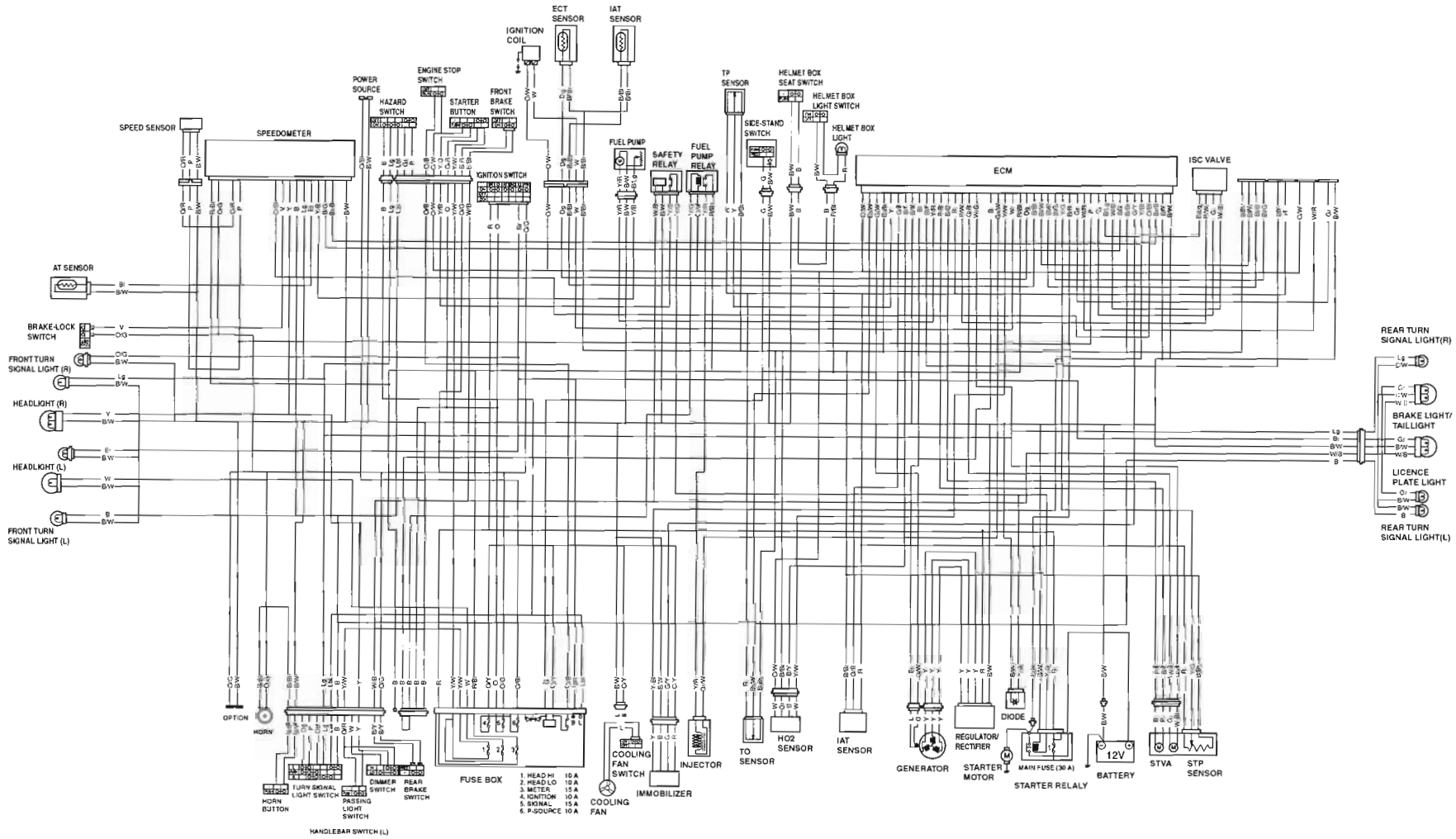
Wiring Systems

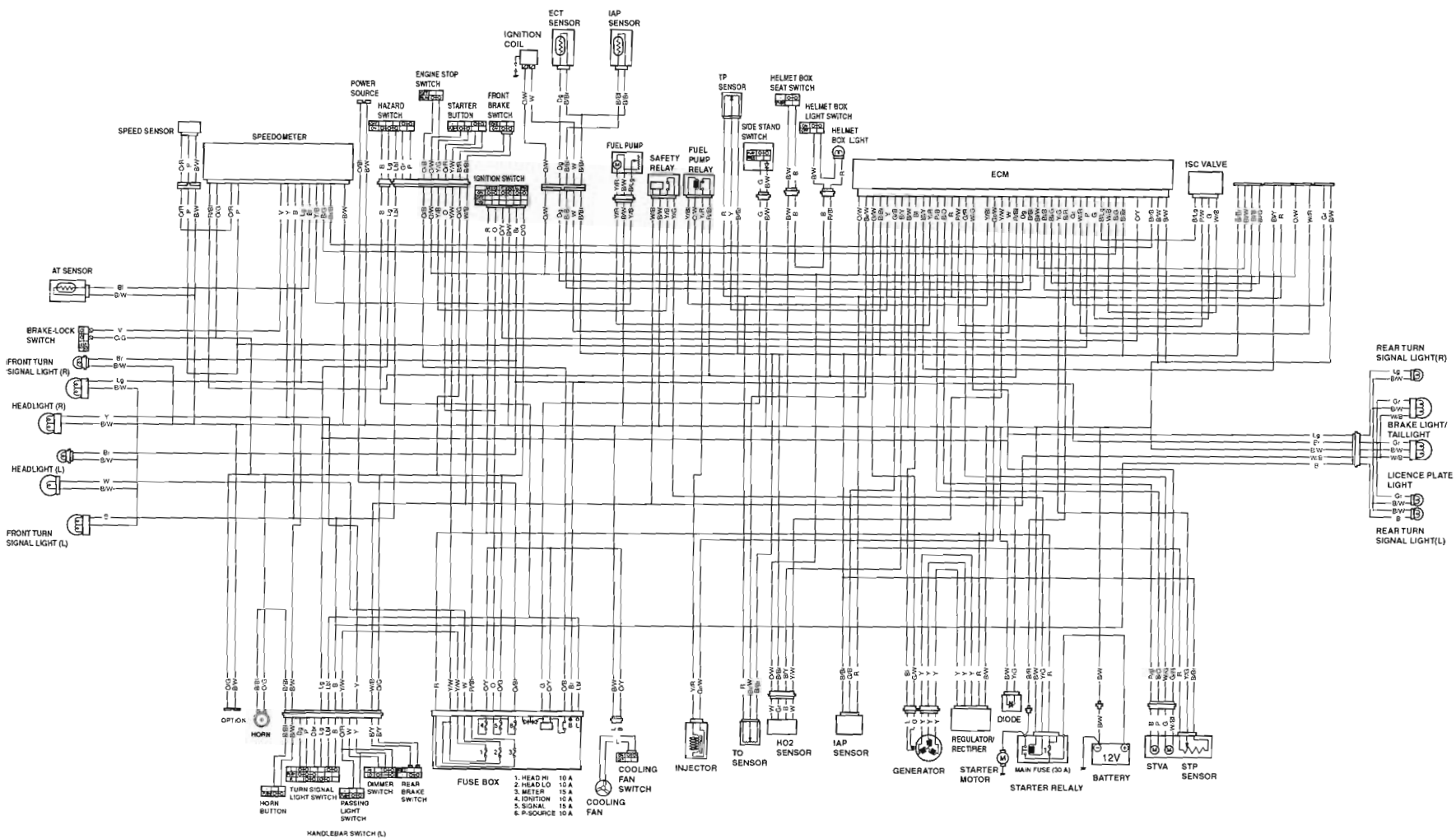
Schematic and Routing Diagram

Wiring Diagram

Refer to "Wire Color Symbols in Section 0A (Page0A-5)".

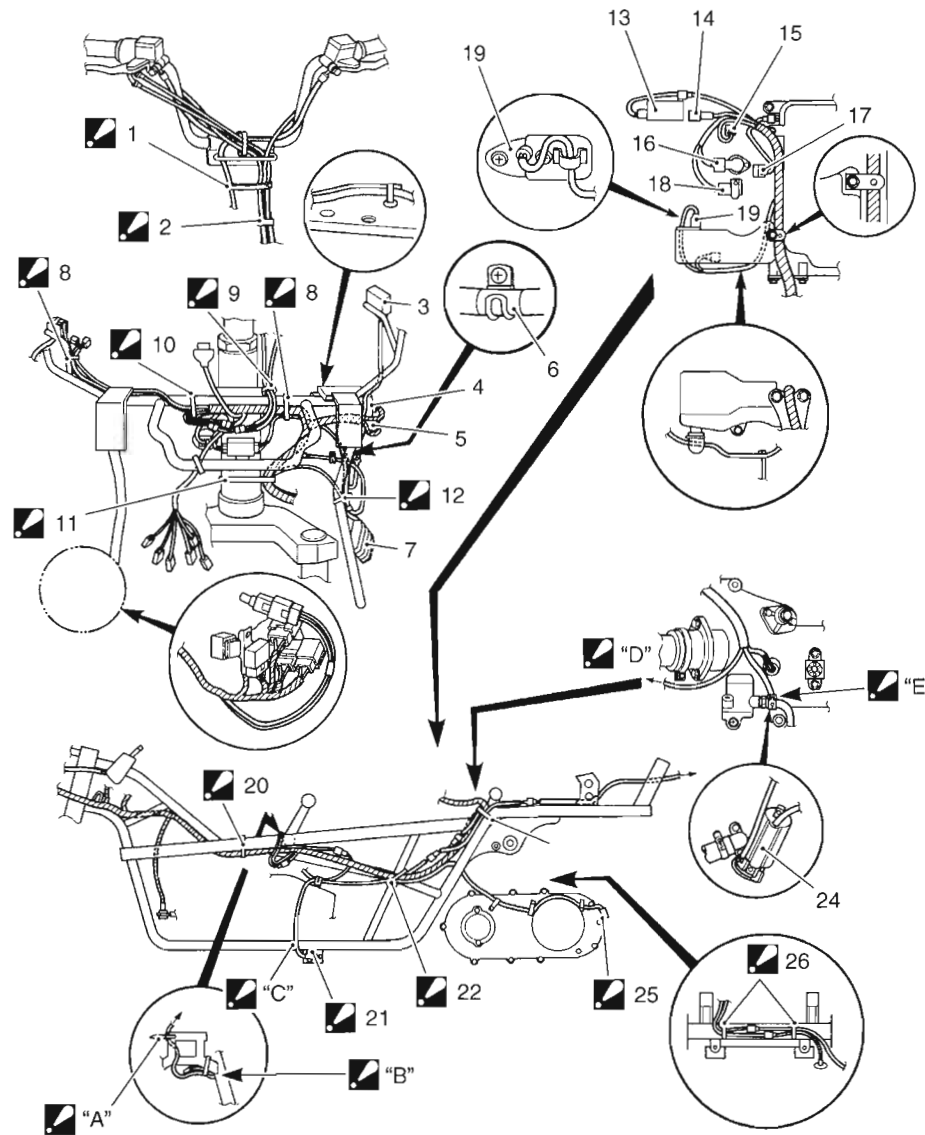
B705H29102001





Wiring Harness Routing Diagram

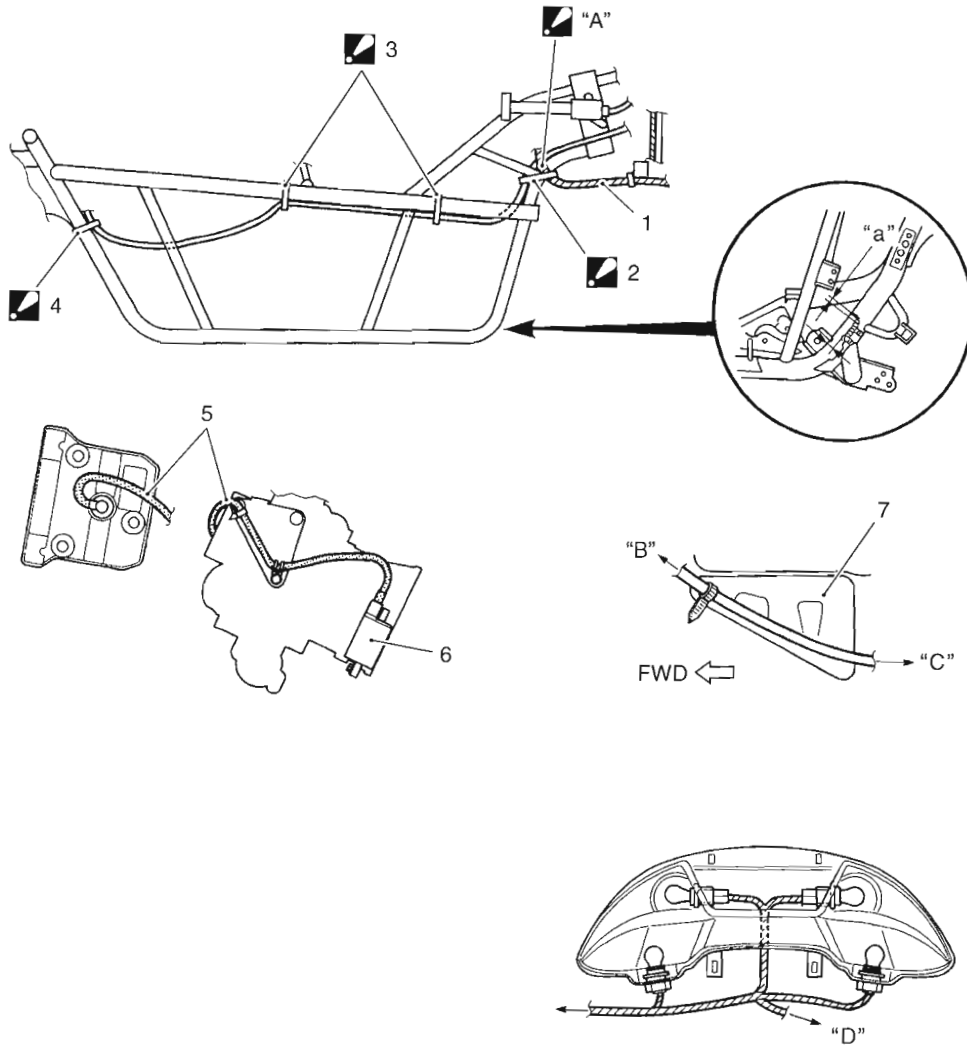
B705H29102002



1705H1910905-04

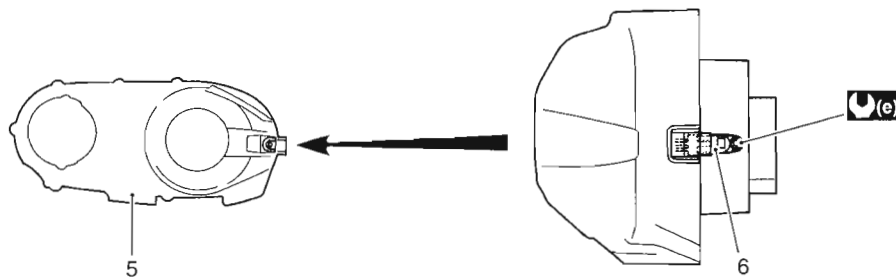
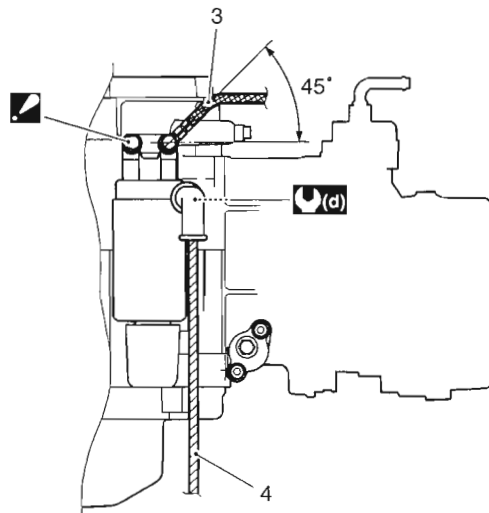
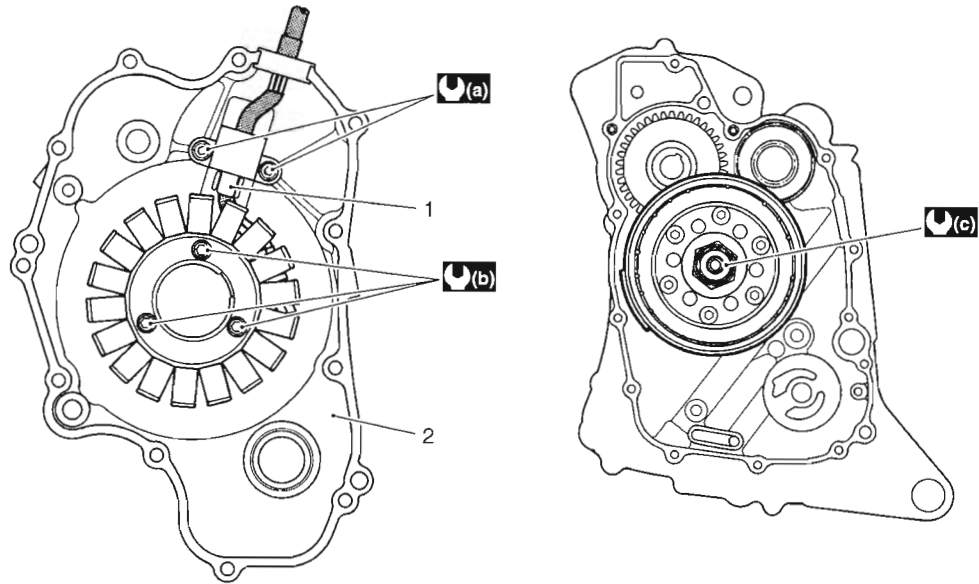
<p>1. Clamp : Clamp the handlebar switch lead wires (LH and RH), Brake hoses (Front and Rear) and throttle cables.</p>	<p>12. Clamp : Clamp the regulator/rectifier lead wire, battery (+) and (-) lead wires.</p>	<p>23. Clamp : Clamp the wiring harness, battery (-) lead wire and generator lead wires.</p>
<p>2. Clamp : Clamp with marking.</p>	<p>13. STVA</p>	<p>24. Ignition coil</p>
<p>3. Fuse box</p>	<p>14. STP sensor</p>	<p>25. Speed sensor</p>
<p>4. Key-less control unit (For 000 only)</p>	<p>15. TP sensor</p>	<p>26. Clamp : Clamp the generator lead wires and HO2 sensor lead wire with no slack.</p>
<p>5. ECM</p>	<p>16. ISC valve</p>	<p>"A": Cut the surplus of clamp.</p>
<p>6. White tape</p>	<p>17. Fuel injector</p>	<p>"B": Pass the lead wires through inside the cable guide.</p>
<p>7. Regulator/rectifier read wire</p>	<p>18. IAP sensor</p>	<p>"C": Pass the lead wires through outside the hoses.</p>
<p>8. Clamp : Clamp the wiring harness and battery (+) lead wire.</p>	<p>19. IAT sensor</p>	<p>"D": To IAT sensor.</p>
<p>9. Clamp : Clamp the left and right handlebar switch lead wires.</p>	<p>20. Clamp : Clamp the wiring harness and battery (-) lead wire.</p>	<p>"E": Pass the ignition coil lead wire through inside the water by-pass hose</p>
<p>10. Clamp : Clamp the wiring harness, battery (+) lead wire and starter relay lead wire.</p>	<p>21. Side-stand switch</p>	
<p>11. Clamp : Clamp the wiring harness and battery (-) lead wire.</p>	<p>22. Clamp : Clamp the wiring harness, battery (-) and side-stand switch lead wire.</p>	

9A-5 Wiring Systems:



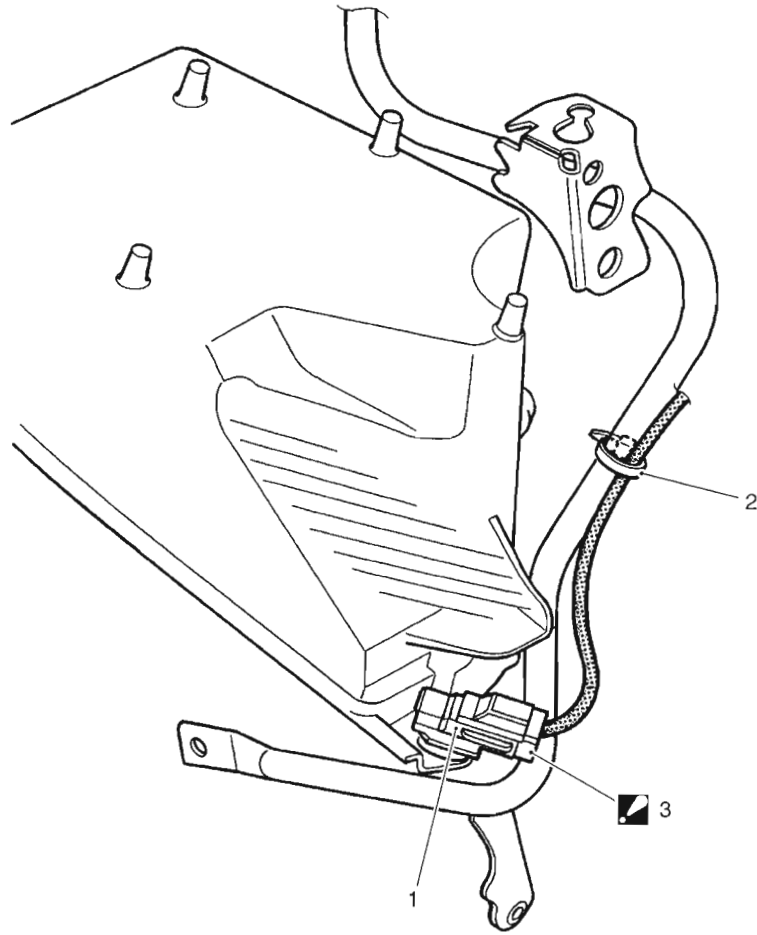
I705H1910906-06

1. Wiring harness	5. High tension code	"B": To IAT sensor
2. Clamp : Clamp the starter motor lead wire and wiring harness.	6. Ignition coil	"C": To main harness
3. Clamp : Clamp the starter motor lead wire and brake-lock cable.	7. Air cleaner	"D": To license light
4. Clamp : Clamp the rear brake hose, brake-lock cable and starter motor lead wire.	"A": Pass the wiring harness through front of seat lock cable.	"a": 2.3 mm (0.08 - 0.12 in)



1. CKP sensor	5. Outer clutch cover	(b) : 11 N·m (1.1 kgf-m, 8.0 lb-ft)
2. Generator cover	6. Speed sensor	(c) : 160 N·m (16.0 kgf-m, 111.5 lb-ft)
3. Battery (-) lead wire	: Tighten the rear side bolt first.	(d) : 3 N·m (0.3 kgf-m, 2.0 lb-ft)
4. Starter motor lead wire	(a) : 6 N·m (0.6 kgf-m, 4.5 lb-ft)	(e) : 10 N·m (1.0 kgf-m, 7.0 lb-ft)

9A-7 Wiring Systems:



I705H1910904-01

1. Ambient air temperature sensor	3. Coupler : Do not attempt to disconnect the coupler from the sensor.
2. Clamp	

Specifications

Service Data

B705H29107001

Electrical

Unit: mm (in)

Item	Standard / specification		Note
Fuse size	Headlight	HI	10 A
		LO	10 A
	Meter		15 A
	Ignition		10 A
	Signal		15 A
	Power source		10 A
	Main		30 A

Tightening Torque Specifications

B705H29107002

NOTE

The specified tightening torque is also described in the following.
“Wiring Harness Routing Diagram (Page 9A-4)”

Reference:

For the tightening torque of fastener not specified in this section, refer to “Tightening Torque Specifications in Section 0C (Page 0C-7)”.