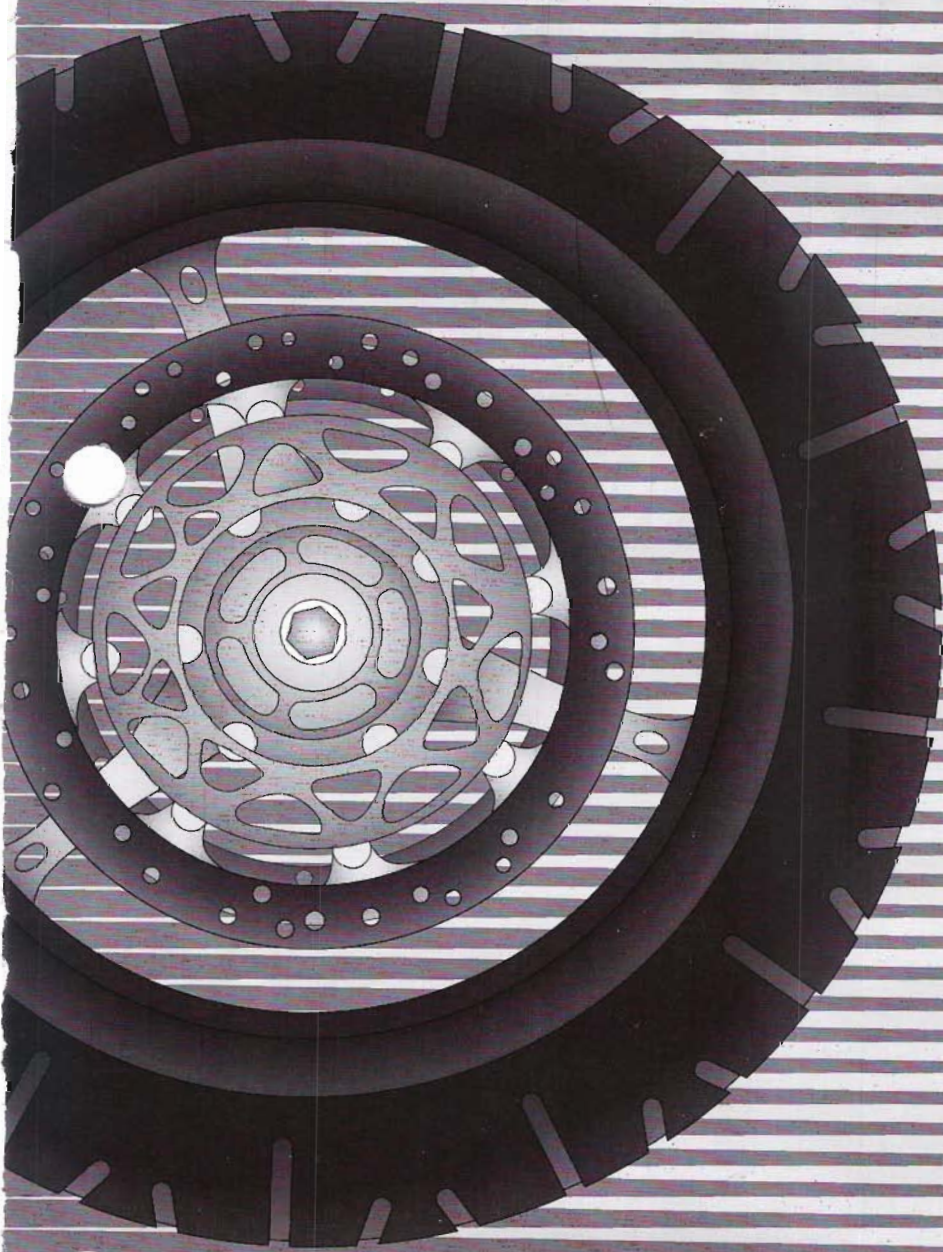


AN400



Service Manual



* 9 9 5 0 0 - 3 4 1 0 0 - 0 3 E *

IMPORTANT

All street-legal Suzuki motorcycles with engine displacement of 50 cc or greater are subject to Environmental Protection agency emission regulations. These regulations set specific standards for exhaust emission output levels as well as particular servicing requirements. This manual includes specific information required to properly inspect and service this street-legal motorcycle in accordance with all EPA regulations. It is strongly recommended that the chapter on Emission Control, Periodic Servicing and FI System and Fuel System be thoroughly reviewed before any type of service work is performed. Further information concerning the EPA emission regulations and U.S. Suzuki's emission control program can be found in the U.S. SUZUKI EMISSION CONTROL PROGRAM MANUAL/SERVICE BULLETIN.



FOREWORD

This manual contains an introductory description on the SUZUKI AN400 and procedures for its inspection/service and overhaul of its main components.

Other information considered as generally known is not included.

Read the GENERAL INFORMATION section to familiarize yourself with the motorcycle and its maintenance. Use this section as well as other sections to use as a guide for proper inspection and service.

This manual will help you know the motorcycle better so that you can assure your customers of fast and reliable service.

** This manual has been prepared on the basis of the latest specifications at the time of publication. If modifications have been made since then, differences may exist between the content of this manual and the actual motorcycle.*

** Illustrations in this manual are used to show the basic principles of operation and work procedures. They may not represent the actual motorcycle exactly in detail.*

** This manual is written for persons who have enough knowledge, skills and tools, including special tools, for servicing SUZUKI motorcycles. If you do not have the proper knowledge and tools, ask your authorized SUZUKI motorcycle dealer to help you.*

▲ WARNING

Inexperienced mechanics or mechanics without the proper tools and equipment may not be able to properly perform the services described in this manual.

Improper repair may result in injury to the mechanic and may render the motorcycle unsafe for the rider and passenger.

SUZUKI MOTOR CORPORATION

TABLE OF CONTENTS

Precautions	00-i
Precautions	00-1
General Information	0-i
General Information	0A-1
Maintenance and Lubrication	0B-1
Service Data.....	0C-1
Engine	1-i
Precautions	1-1
Engine General Information and Diagnosis	1A-1
Emission Control Devices	1B-1
Engine Electrical Devices.....	1C-1
Engine Mechanical.....	1D-1
Engine Lubrication System	1E-1
Engine Cooling System.....	1F-1
Fuel System	1G-1
Ignition System.....	1H-1
Starting System.....	1I-1
Charging System.....	1J-1
Exhaust System	1K-1
Suspension	2-i
Precautions	2-1
Suspension General Diagnosis.....	2A-1
Front Suspension	2B-1
Rear Suspension.....	2C-1
Wheels and Tires	2D-1
Driveline / Axle	3-i
Precautions	3-1
Drive Chain / Drive Train / Drive Shaft	3A-1
Brake	4-i
Precautions	4-1
Brake Control System and Diagnosis	4A-1
Front Brakes.....	4B-1
Rear Brakes	4C-1
Parking Brake.....	4D-1
Transmission / Transaxle	5-i
Precautions	5-1
Automatic Transmission	5A-1
Steering	6-i
Precautions	6-1
Steering General Diagnosis	6A-1
Steering / Handlebar	6B-1
Body and Accessories	9-i
Precautions	9-1
Wiring Systems	9A-1
Lighting Systems.....	9B-1
Combination Meter / Fuel Meter / Horn.....	9C-1
Exterior Parts	9D-1
Body Structure	9E-1

Section 00

Precautions

CONTENTS

Precautions	00-1	General Precautions	00-1
Precautions.....	00-1	Precautions for Electrical Circuit Service	00-2
Warning / Caution / Note.....	00-1		

Precautions

Precautions

Warning / Caution / Note

B705H2000001

Please read this manual and follow its instructions carefully. To emphasize special information, the symbol and the words WARNING, CAUTION and NOTE have special meanings. Pay special attention to the messages highlighted by these signal words.

⚠ WARNING

Indicates a potential hazard that could result in death or injury.

⚠ CAUTION

Indicates a potential hazard that could result in motorcycle damage.

NOTE

Indicates special information to make maintenance easier or instructions clearer.

Please note, however, that the warnings and cautions contained in this manual cannot possibly cover all potential hazards relating to the servicing, or lack of servicing, of the motorcycle. In addition to the WARNINGS and CAUTIONS stated, you must use good judgement and basic mechanical safety principles. If you are unsure about how to perform a particular service operation, ask a more experienced mechanic for advice.

General Precautions

B705H2000002

⚠ WARNING

- Proper service and repair procedures are important for the safety of the service mechanic and the safety and reliability of the motorcycle.
- When 2 or more persons work together, pay attention to the safety of each other.
- When it is necessary to run the engine indoors, make sure that exhaust gas is forced outdoors.
- When working with toxic or flammable materials, make sure that the area you work in is well-ventilated and that you follow all of the material manufacturer's instructions.
- Never use gasoline as a cleaning solvent.
- To avoid getting burned, do not touch the engine, engine oil, radiator and exhaust system until they have cooled.
- After servicing the fuel, oil, water, exhaust or brake systems, check all lines and fittings related to the system for leaks.

⚠ CAUTION

- If parts replacement is necessary, replace the parts with Suzuki Genuine Parts or their equivalent.
- When removing parts that are to be reused, keep them arranged in an orderly manner so that they may be reinstalled in the proper order and orientation.
- Be sure to use special tools when instructed.
- Make sure that all parts used in reassembly are clean. Lubricate them when specified.
- Use the specified lubricant, bond or sealant.
- When removing the battery, disconnect the (-) cable first and then the (+) cable.
- When reconnecting the battery, connect the (+) cable first and then the (-) cable, and replace the terminal cover on the (+) terminal.
- When performing service to electrical parts, if the service procedures do not require use of battery power, disconnect the (-) cable from the battery.
- When tightening the cylinder head or case bolts and nuts, tighten the larger sizes first. Always tighten the bolts and nuts diagonally from the inside toward outside and to the specified tightening torque.
- Whenever you remove oil seals, gaskets, packing, O-rings, locking washers, self-locking nuts, cotter pins, circlips and certain other parts as specified, be sure to replace them with new ones. Also, before installing these new parts, be sure to remove any left over material from the mating surfaces.
- Never reuse a circlip. When installing a new circlip, take care not to expand the end gap larger than required to slip the circlip over the shaft. After installing a circlip, always ensure that it is completely seated in its groove and securely fitted.
- Use a torque wrench to tighten bolts to the specified torque. Wipe off grease and oil if a thread is smeared with them.
- After reassembling, check parts for tightness and proper operation.
- To protect the environment, do not unlawfully dispose of used motor oil, engine coolant and other fluids: batteries and tires.

- To protect Earth's natural resources, properly dispose of used motorcycle and parts.

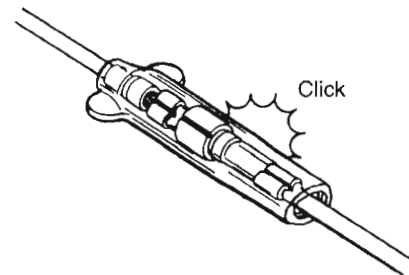
Precautions for Electrical Circuit Service

B705H2000003

When handling the component parts or servicing the FI system, observe the following points for the safety of the system.

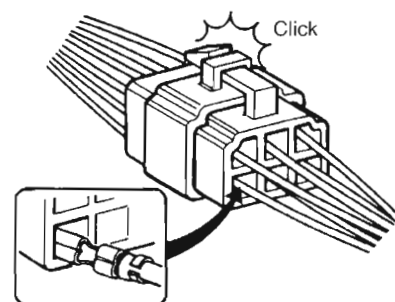
Electrical Parts**Connector / Coupler**

- When connecting a connector, be sure to push it in until a click is felt.



I705H1000001-01

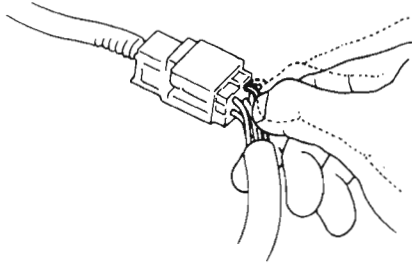
- With a lock type coupler, be sure to release the lock when disconnecting, and push in fully to engage the lock when connecting.
- When disconnecting the coupler, be sure to hold the coupler body and do not pull the lead wires.
- Inspect each terminal on the connector/coupler for looseness or bending.
- Inspect each terminal for corrosion and contamination. The terminals must be clean and free of any foreign material which could impede proper terminal contact.



I310G1000002-01

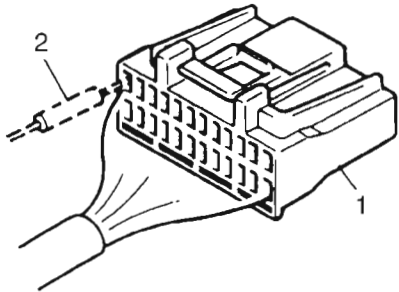
00-3 Precautions:

- Inspect each lead wire circuit for poor connection by shaking it by hand lightly. If any abnormal condition is found, repair or replace.



I310G1000003-01

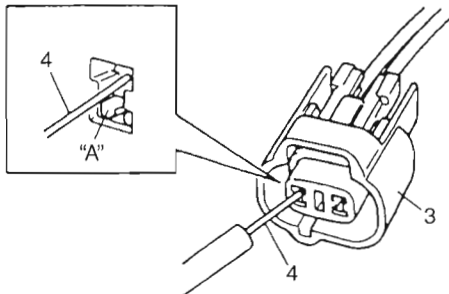
- When taking measurements at electrical connectors using a tester probe, be sure to insert the probe from the wire harness side (backside) of the connector/ coupler.



I705H1000002-01

1. Coupler	2. Probe
------------	----------

- When connecting meter probe from the terminal side of the coupler (where connection from harness side not being possible), use extra care not to force and cause the male terminal to bend or the female terminal to open. Connect the probe as shown to avoid opening of female terminal. Never push in the probe where male terminal is supposed to fit.
- Check the male connector for bend and female connector for excessive opening. Also check the coupler for locking (looseness), corrosion, dust, etc.

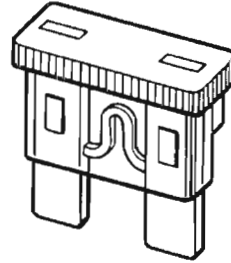


I705H1000003-01

3. Coupler	"A": Where male terminal fits
4. Probe	

Fuse

- When a fuse blows, always investigate the cause to correct it and then replace the fuse.
- Do not use a fuse of a different capacity.
- Do not use wire or any other substitute for the fuse.



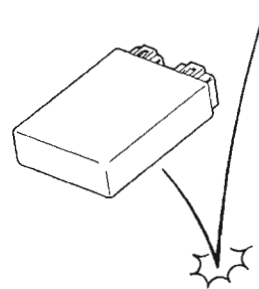
I649G1000001-01

Switch

Never apply grease material to switch contact points to prevent damage.

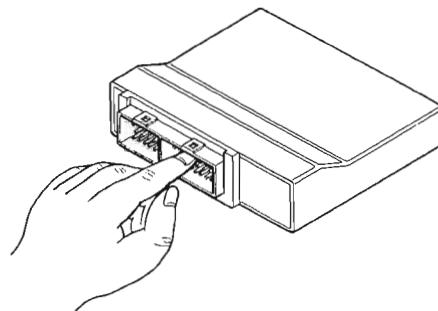
ECM / Various Sensors

- Since each component is a high-precision part, great care should be taken not to apply any sharp impacts during removal and installation.



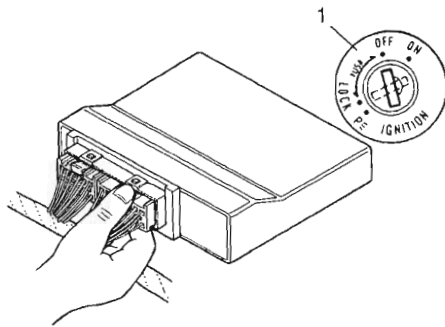
I310G1000007-01

- Be careful not to touch the electrical terminals of the ECM. The static electricity from your body may damage this part.



I310G1000008-01

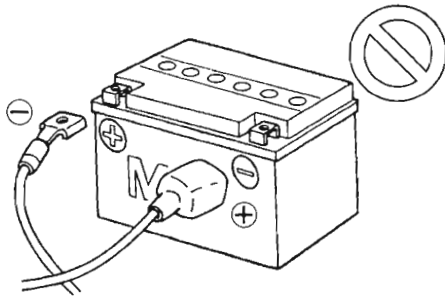
- When disconnecting and connecting the ECM couplers, make sure to turn OFF the ignition switch (1), or electronic parts may get damaged.



I705H1000004-03

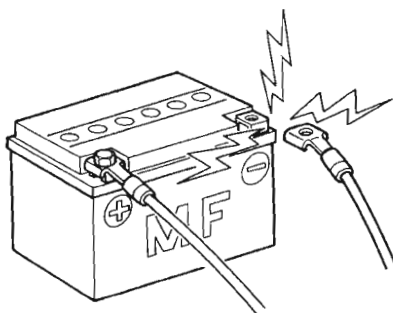
Battery

- Battery connection in reverse polarity is strictly prohibited. Such a wrong connection will damage the components of the FI system instantly when reverse power is applied.



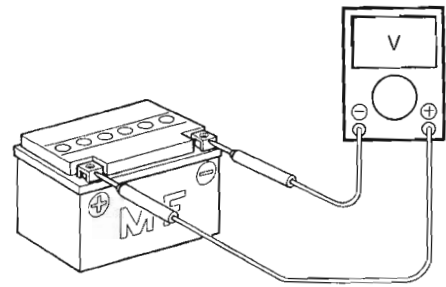
I310G1000010-01

- Removing any battery terminal of a running engine is strictly prohibited. The moment such removal is made, damaging counter electromotive force will be applied to the ECM which may result in serious damage.



I310G1000011-01

- Before measuring voltage at each terminal, check to make sure that battery voltage is 11 V or higher. Terminal voltage check with a low battery voltage will lead to erroneous diagnosis.



I310G1000012-01

- Never connect any tester (voltmeter, ohmmeter, or whatever) to the ECM when its coupler is disconnected. Otherwise, damage to ECM may result.
- Never connect an ohmmeter to the ECM with its coupler connected. If attempted, damage to ECM or sensors may result.
- Be sure to use a specified voltmeter/ohmmeter. Otherwise, accurate measurements may not be obtained and personal injury may result.

Electrical Circuit Inspection Procedures

While there are various methods for electrical circuit inspection, described here is a general method to check for open and short circuit using an ohmmeter and a voltmeter.

Open circuit check

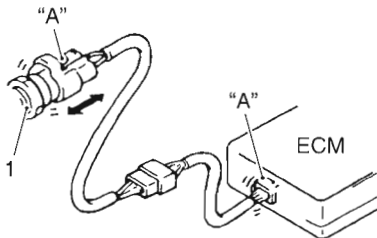
Possible causes for the open circuits are as follows. As the cause can exist in the connector/coupler or terminal, they need to be checked carefully.

- Loose connection of connector/coupler
- Poor contact of terminal (due to dirt, corrosion or rust, poor contact tension, entry of foreign object, etc.)
- Wire harness being open
- Poor terminal-to-wire connection

00-5 Precautions:

When checking system circuits including an electronic control unit such as ECM, etc., it is important to perform careful check, starting with items which are easier to check.

- 1) Disconnect the (-) cable from the battery.
- 2) Check each connector/coupler at both ends of the circuit being checked for loose connection. Also check for condition of the coupler lock if equipped.



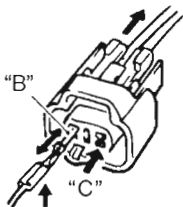
I705H1000005-02

1. Sensor	"A": Check for loose connection.
-----------	----------------------------------

- 3) Using a test male terminal, check the female terminals of the circuit being checked for contact tension.

Check each terminal visually for poor contact (possibly caused by dirt, corrosion, rust, entry of foreign object, etc.). At the same time, check to make sure that each terminal is fully inserted in the coupler and locked.

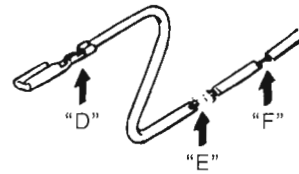
If contact tension is not enough, rectify the contact to increase tension or replace. The terminals must be clean and free of any foreign material which could impede proper terminal contact.



I649G1000027-01

"B": Check contact tension by inserting and removing.
"C": Check each terminal for bend and proper alignment.

- 4) Using continuity inspect or voltage check procedures as described below, inspect the wire harness terminals for open circuit and poor connection. Locate abnormality, if any.



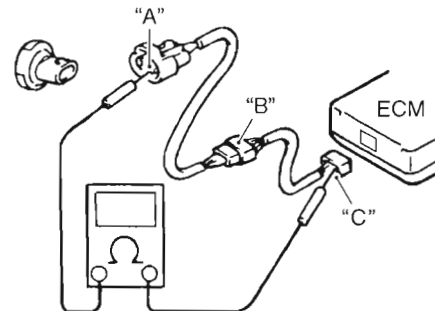
I649G1000028-01

"D": Looseness of crimping
"E": Open
"F": Thin wire (A few strands left)

Continuity check

- 1) Measure resistance across coupler "B" (between "A" and "C" in figure).

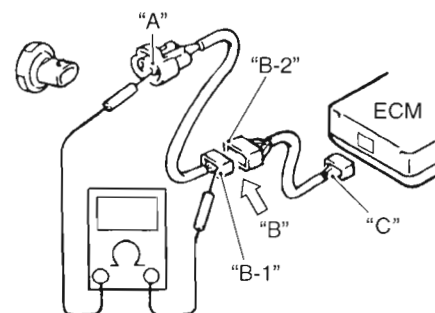
If no continuity is indicated (infinity or over limit), the circuit is open between terminals "A" and "C".



I705H1000006-02

- 2) Disconnect the coupler "B" and measure resistance between couplers "A" and "B-1".

If no continuity is indicated, the circuit is open between couplers "A" and "B-1". If continuity is indicated, there is an open circuit between couplers "B-2" and "C" or an abnormality in coupler "B-2" or coupler "C".



I705H1000010-02

Voltage check

If voltage is supplied to the circuit being checked, voltage check can be used as circuit check.

- 1) With all connectors/couplers connected and voltage applied to the circuit being checked, measure voltage between each terminal and body ground.
- 2) If measurements were taken as shown in the figure below and results are as listed in the following, it means that the circuit is open between terminals "A" and "B".

Voltage between

"A" and body ground: Approx. 5 V

"B" and body ground: Approx. 5 V

"C" and body ground: 0 V

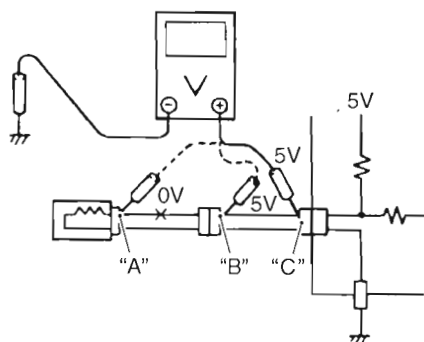
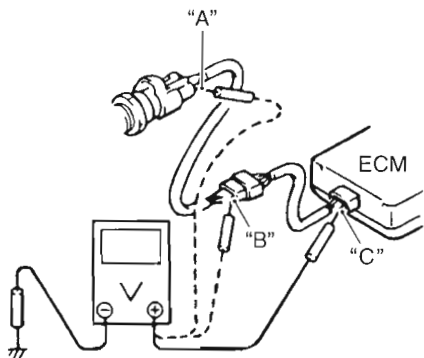
- 3) Also, if measured values are as listed in the following, a resistance (abnormality) exists which causes the voltage drop in the circuit between terminals "A" and "B".

Voltage between

"A" and body ground: Approx. 5 V

"B" and body ground: Approx. 5 V – 2 V voltage drop

"C" and body ground: 3 V – 2 V voltage drop



I705H1000007-01

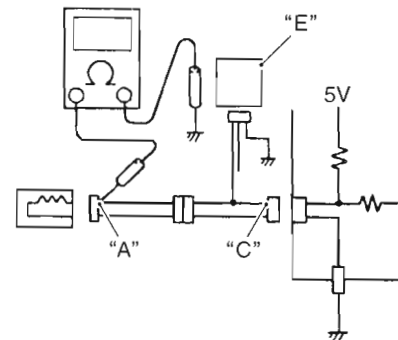
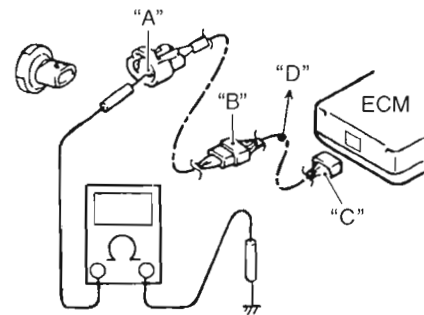
Short circuit check (Wire harness to ground)

- 1) Disconnect the (-) cable from the battery.
- 2) Disconnect the connectors/couplers at both ends of the circuit to be checked.

NOTE

If the circuit to be checked branches to other parts as shown, disconnect all connectors/couplers of those parts. Otherwise, diagnosis will be misled.

- 3) Measure resistance between terminal at one end of circuit ("A" terminal in figure) and body ground. If continuity is indicated, there is a short circuit to ground between terminals "A" and "C".

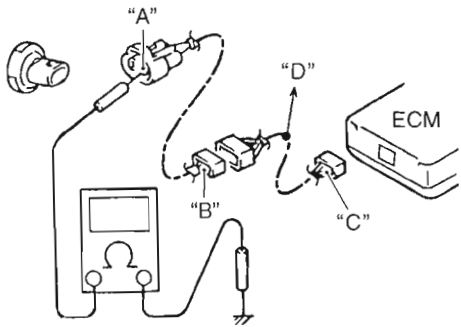


I705H1000008-01

"D": To other parts	"E": Other parts
---------------------	------------------

00-7 Precautions:

- 4) Disconnect the connector/coupler included in circuit (coupler "B") and measure resistance between terminal "A" and body ground. If continuity is indicated, the circuit is shorted to the ground between terminals "A" and "B".




1705H1000009-02

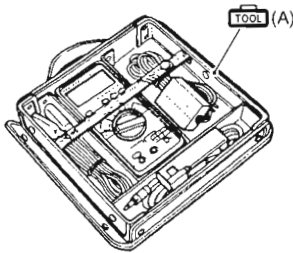
"D": To other parts

Using the Multi-Circuit Tester

- Use the Suzuki multi-circuit tester set.
- Use well-charged batteries in the tester.
- Be sure to set the tester to the correct testing range.

Special tool

 (A): 09900-25008 (Multi-circuit tester set)



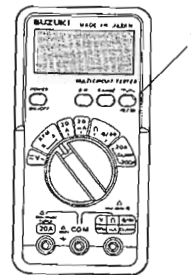
1649G1000024-02

Using the tester

- Incorrectly connecting the (+) and (-) probes may cause the inside of the tester to burnout.
- If the voltage and current are not known, make measurements using the highest range.
- When measuring the resistance with the multi-circuit tester (1), ∞ will be shown as 10.00 M Ω and "1" flashes in the display.
- Check that no voltage is applied before making the measurement. If voltage is applied the tester may be damaged.
- After using the tester, turn the power off.

Special tool

 : 09900-25008 (Multi-circuit tester set)



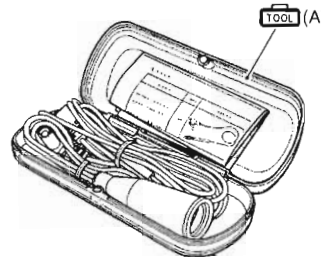
1649G1000002-01

NOTE

- When connecting the multi-circuit tester, use the needle pointed probe to the back side of the lead wire coupler and connect the probes of tester to them.
- Use the needle pointed probe to prevent the rubber of the water proof coupler from damage.

Special tool

 (A): 09900-25009 (Needle pointed probe set)



1649G1000025-02